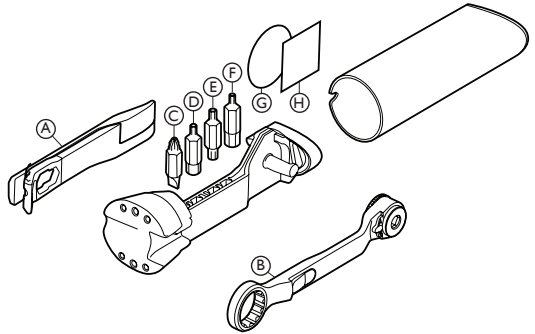




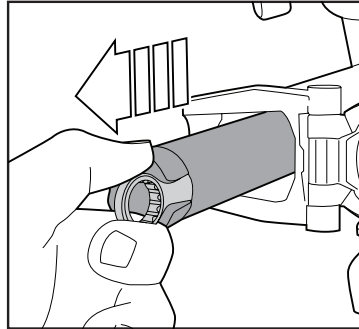
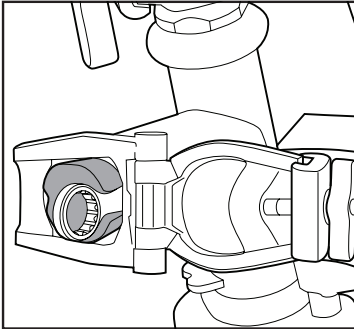
**TOOLKIT**

**Included in the toolkit**

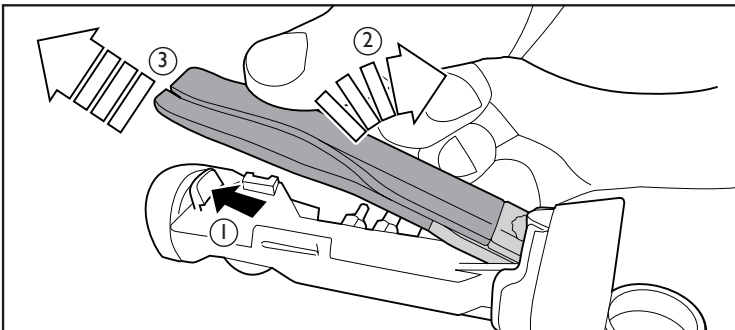
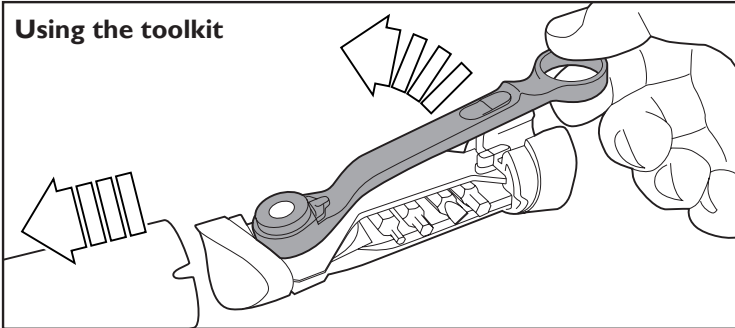
- A Tyre levers with 8mm and 10mm spanners
- B 15mm spanner with ratchet driver
- C Pozi and flat screwdriver bit
- D 2.5mm and 5mm hex bit
- E 3mm and 4mm hex bit
- F 2mm and 6mm hex bit
- G Puncture repair patches
- H Sandpaper



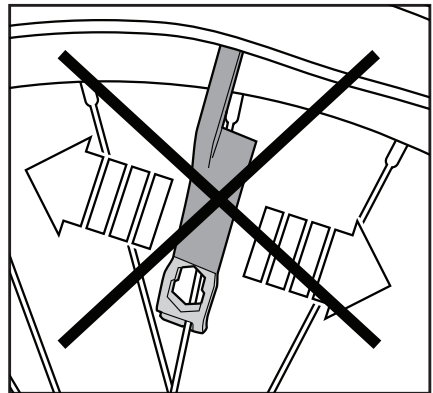
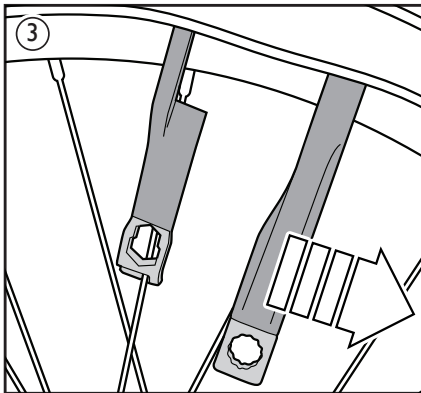
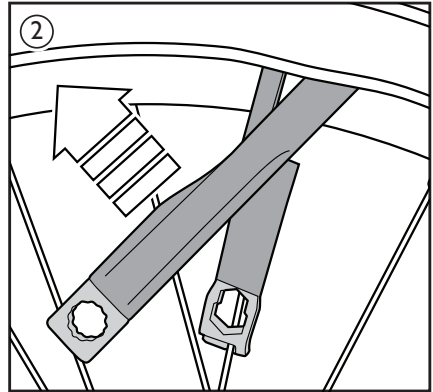
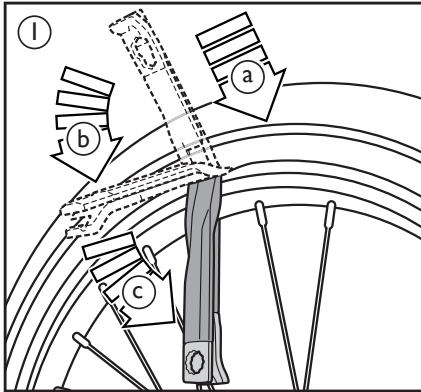
**Storing the toolkit**



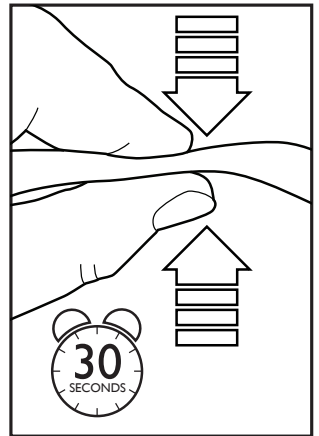
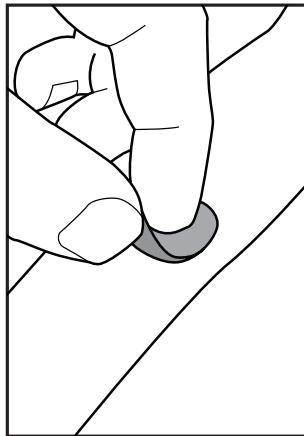
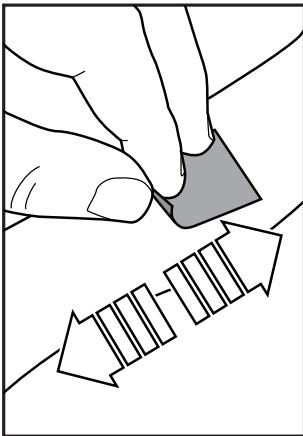
**Using the toolkit**



## Removing a tyre



## Patching an inner tube



If you are unsure of the correct fitting process please consult your Brompton dealer.  
Brompton cannot accept responsibility for any failures due to incorrect fitting or maintenance.

Should you require more information, please see [www.brompton.co.uk](http://www.brompton.co.uk)